

## MH20 and MH20i Manual adjustable probe heads with module changing



**MH20**



**MH20i**

- Incorporates TP20 kinematic mount with two axis adjustable swivel.
  - $\pm 300^\circ$  B axis rotation.
  - $\pm 93^\circ$  A axis rotation.
  - Infinite positioning within the movement envelope of the head.
  - Repeatable TP20 stylus module changing, providing head adjustment has not taken place.
  - Up to 94.5 mm (3.72 in) extension module capacity.
- Incorporates TP20 kinematic mount with two axis indexing.
  - $\pm 180^\circ$  rotation in B.
  - $90^\circ$  rotation in A.
  - 168 repeatable positions in  $15^\circ$  increments.
  - Repeatable TP20 stylus module changing in each pre-qualified position without the need for re-qualification.
  - Up to 94.5 mm (3.72 in) extension module capacity.

**MH20 & MH20i family**

The MH20 and MH20i are manually operated probe heads that articulate to provide orientation of the probing axis.

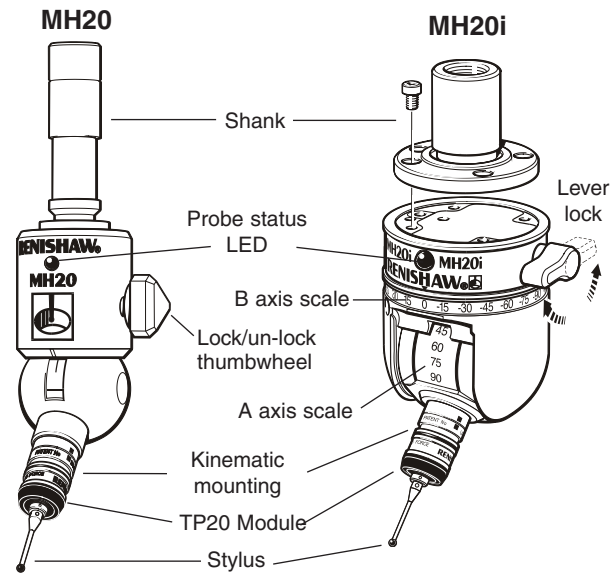
MH20 provides non-repeatable orientation, while MH20i permits repeatable indexing in 15° increments.

Both heads feature TP20 kinematic probe module mounting, allowing repeatable stylus module changes.

MH20 and MH20i are compatible with the full range of TP20 stylus modules, which comprises 5-way versions with length or trigger force options and a 6-way version.

Both heads feature a red LED, which indicates probe status, controlled by either the CMM or a Renishaw probe interface.

A range of shanks is available to suit most CMM quills, these are pre-mounted and are ordered with the head.



**MH20**

The MH20 incorporates the TP20 kinematic mount with 2 axis adjustable swivel. The TP20 module is carried on the A axis swivel and rotates through ±93° in the Z plane. The B axis rotates through ±300° in the X-Y plane. A thumbwheel locks the swivel in any position within the movement envelope of the head.

After each adjustment qualification must take place, while repeatable module changing is possible without re-qualification, providing adjustment has not taken place.

The head is pre-mounted with a customer-specified shank to suit the CMM. The correct specification is vital because the shank cannot be removed from the MH20. (See back page of Data Sheet for order information).

**MH20 specification**

**Technical data**

Range of articulation	...	A axis ±93°
	...	B axis ±300°
Dual axis lock	...	Single rotary thumbwheel
Mounting	...	MS/T range of shanks
Cable connection	...	5 pin DIN socket
Probe status indication	...	1 LED
Maximum load		EM2 extended module - 94.5 mm (3.72in)
Operating temperature range	...	+10° to +40° C (+50 to +104°F)
Storage temperature range	...	-10° to +70° C (+14 to +158°F)
Probe mount	...	TP20 kinematic
Weight - without shank	...	100 g

**MH20i**

The MH20i incorporates the TP20 kinematic mount with 2 axis indexing. The TP20 is carried on the A axis swivel and rotates through 90° in the Z plane. The B axis rotates through ±180° in the X-Y plane.

The axes are unlocked by releasing the locking lever allowing rotation to each position. Positions are set at angular increments of 15° in each axis, providing a total of 168 repeatable positions.

When the head orientation is locked, the probe is fully kinematically constrained in a highly repeatable spatial position. This means, that after initial qualification of the stylus tip in the required positions, the probe can be moved to any of the qualified positions without the need for re-qualification.

Repeatable module changing is possible in each pre-qualified position, provided initial qualification of each stylus configuration has taken place.

**MH20i Specification**

**Measuring performance**

Positional repeatability (2σ)	...	1.5 μm (0.00006 in)
(At stylus tip with TP20 standard force module & 10 mm styli)		
Positional repeatability (2σ)	...	2.5 μm (0.0001 in)
(At stylus tip with EM2 extended module & 10 mm styli)		

**Technical data**

Range of articulation	...	A axis 0° to 90° in 15° increments
	...	B axis ±180° in 15° increments
Dual axis lock	...	Single lock lever
Mounting	...	MS range of shanks
Cable connection	...	5 pin DIN socket
Probe status indication	...	1 LED
Maximum load		EM2 extended module 94.5 mm (3.72 in)
Operating temperature range	...	+10° to +40° C (+50 to +104°F)
Storage temperature range	...	-10° to +70° C (+14 to +158°F)
Probe mount	...	TP20 kinematic
Weight - without shank	...	210 g

**Note:** MH20 and MH20i are not compatible with the MCR20 module change rack.

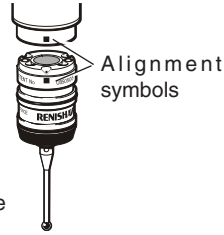
For further information on both products please refer to the MH20 and MH20i User's Guide (H-1000-5195) which is available from [www.renishaw.com](http://www.renishaw.com).

**TP20 probe module**

The TP20 probe module houses the kinematic switching touch mechanism, carries the stylus assembly and provides overtravel in the X, Y, and +Z axes.

The probe module is held in position on the head by a highly repeatable kinematic coupling. Electrical contact pins conduct the probe sense voltage through the coupling.

Features are also included which minimise the possibility of a mis-aligned probe module generating a probe-seated signal. The M2 stylus mounting is compatible with Renishaw's comprehensive range of M2 styli.

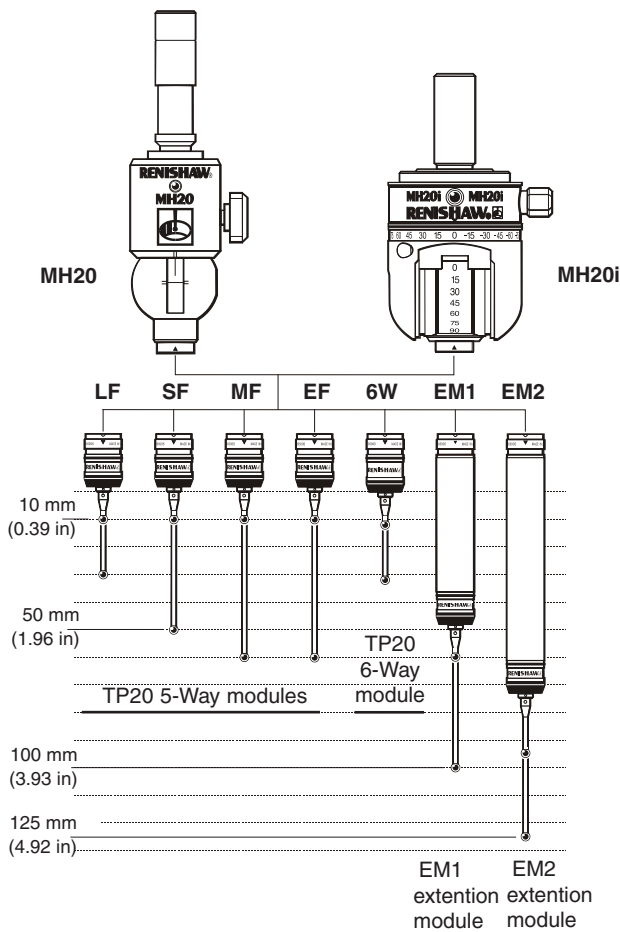


**TP20 range**

Within the TP20 range there are four trigger force options, two length options and a 6-way version. The trigger force options comprise the standard force (SF) identified by a black cap, medium force (MF) identified by a grey cap and extended force (EF) identified by a brown cap. Both MF and EF are used to overcome the effects of acceleration forces or vibration, which would otherwise result in spurious triggers. There is also a low force version (LF) which is used to measure delicate objects, identified by a green cap.

The EM1 (69.5 mm) and EM2 (94.5 mm) extended modules are used to allow access to otherwise inaccessible workpiece features. Both operate using standard force and offer better measuring performance than using long styli with SF, MF or EF modules.

The TP20 6-way, identified by a blue cap, senses in the +Z and -Z directions allowing the measurement of undercuts.



**Probing forces and overtravel limits**

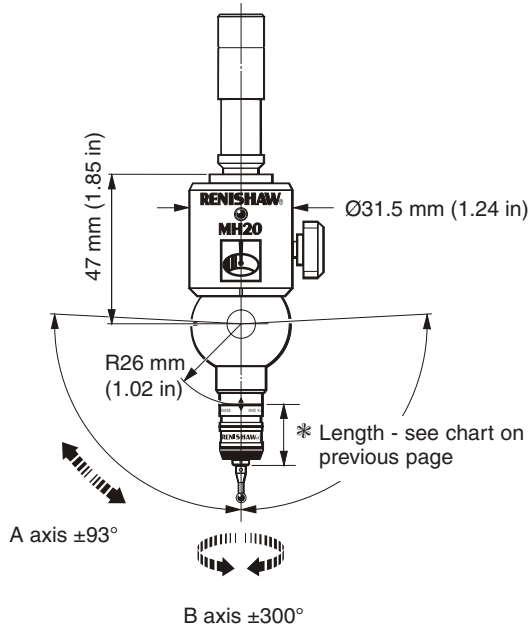
Parameter	Probe module stylus length			
	LF	SF	MF	EF
Trigger force Nominal at stylus tip	10 mm	10 mm	25 mm	50 mm
XY	0.055 N 5.5 gf 0.19 ozf	0.08 N 8 gf 0.28 ozf	0.1 N 10 gf 0.35 ozf	0.1 N 10 gf 0.35 ozf
Z	0.65 N 65 gf 2.29 ozf	0.75 N 75 gf 2.64 ozf	1.9 N 190 gf 6.70 ozf	3.2 N 320 gf 11.29 ozf
Overtravel force Max at stylus tip	0.09 N 9 gf 0.31 ozf	0.2-0.3 N 20-30 gf 0.7-1.1 ozf	0.2-0.4 N 20-40 gf 0.7-1.4 ozf	0.2-0.5 N 20-50 gf 0.7-1.8 ozf
Z	1.15 N 115 gf 4.05 ozf	3.5 N 350 gf 12.35 ozf	7 N 700 gf 24.71 ozf	10 N 1000 gf 35.30 ozf
Overtravel displacement XY *	±14°	±14°	±14°	±14°
+Z	3.1 mm 0.12 in	4.0 mm 0.16 in	3.7 mm 0.14 in	2.4 mm 0.09 in
Length (excluding stylus)	19.5 mm 0.77 in	19.5 mm 0.77 in	19.5 mm 0.77 in	9.5 mm 0.77 in
Module changing	Changed manually probe module repeatability is 2.0 µm.			

\* Note The module may become detached if this value is exceeded

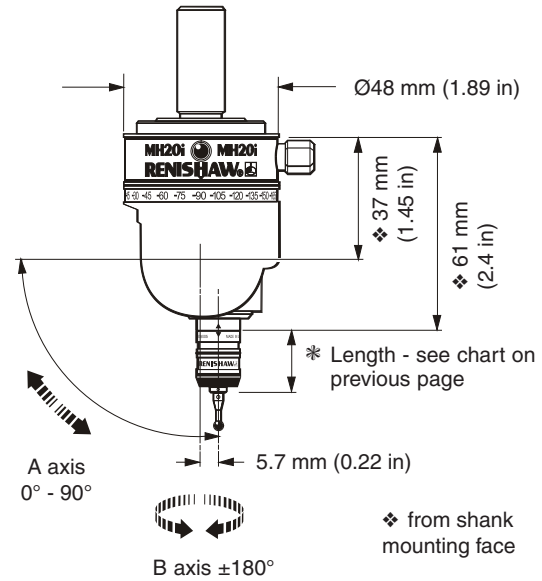
Parameter	Probe module stylus length		
	EM1	EM2	TP20 6-Way
Trigger force Nominal at stylus tip	10 mm	10 mm	10 mm
XY	0.08 N 8 gf 0.28 ozf	0.08 N 8 gf 0.28 ozf	0.14 N 14 gf 0.28 ozf
Z	0.75 N 75 gf 2.64 ozf	0.75 N 75 gf 2.64 ozf	1.6 N 160 gf 2.64 ozf
Overtravel force Max at stylus tip	0.2-0.3 N 20-30 gf 0.7-1.1 ozf	0.2-0.3 N 20-30 gf 0.7-1.1 ozf	0.25 N 25 gf 0.88 ozf
+Z	3.5 N 350 gf 12.35 ozf	3.5 N 350 gf 12.35 ozf	2.5 N 250 gf 8.83 ozf
-Z	-	-	9.0 N 900 gf 31.8 ozf
Overtravel displacement XY *	±14° 4 mm 0.16 in	±14° 4 mm 0.16 in	±14° 4.5 mm 0.18 in
-Z	-	-	1.5 mm 0.06 in
Length (excluding stylus)	69.5 mm 2.74 in	94.5 mm 3.72 in	24.5 mm 0.96 in
Module changing	Changed manually probe module repeatability is 2.0 µm.		

\* Note The module may become detached if this value is exceeded.

### Overall dimensions MH20



### Overall dimensions MH20i



### Part numbers and ordering information

MH20 and MH20i are supplied with the shank fitted. To select the correct shank for your application please refer to H-1000-5050 section 9, then follow the part number selection criteria detailed below.

#### MH20

Description	Part number
MH20 + MS1/T Shank	A-4043-xx01 *
MH20 + MS2/T Shank	A-4043-xx02 *
MH20 + MS3/T Shank	A-4043-xx03 *
MH20 + MS5/T Shank	A-4043-xx05 *
MH20 + MS7/T Shank	A-4043-xx07 *
MH20 + MS9/T Shank	A-4043-xx09 *
MH20 + MS11/T Shank	A-4043-xx11 *
MH20 + MS15/T Shank	A-4043-xx15 *
MH20 + MS18/T Shank	A-4043-xx18 *

\* For Low Force module in place of xx insert 00  
 \* For STD Force module in place of xx insert 01  
 \* For MED Force module in place of xx insert 02  
 \* For EXT Force module in place of xx insert 03  
 e.g. For MH20 with STD force module and MS9/T shank the part number is A-4043-0109.

#### MH20i

Description	Part number
MH20i + MS1 Shank	A-4099-xx01 *
MH20i + MS2 Shank	A-4099-xx02 *
MH20i + MS4 Shank	A-4099-xx04 *
MH20i + MS5 Shank	A-4099-xx05 *
MH20i + MS7 Shank	A-4099-xx07 *
MH20i + MS9 Shank	A-4099-xx09 *
MH20i + MS10 Shank	A-4099-xx10 *
MH20i + MS13 Shank	A-4099-xx13 *
MH20i + MS15 Shank	A-4099-xx15 *
MH20i + MS17 Shank	A-4099-xx17 *
"D" Shank	A-4099-xx18 *

\* For Low Force module in place of xx insert 00  
 \* For STD Force module in place of xx insert 01  
 \* For MED Force module in place of xx insert 02  
 \* For EXT Force module in place of xx insert 03  
 e.g. For MH20i with MED force module and MS7 shank the part number is: A-4099-0207.

For worldwide contact details, please visit our main web site at [www.renishaw.com/contact](http://www.renishaw.com/contact)