

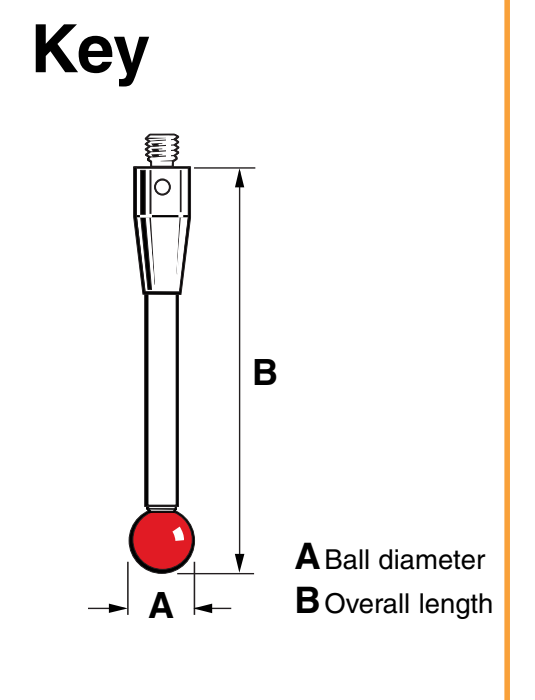
# Styli for Zeiss applications

When precision matters insist on genuine Renishaw styli. Don't settle for less!

## M5 threaded stylus range

Ruby ball styli (tungsten carbide)

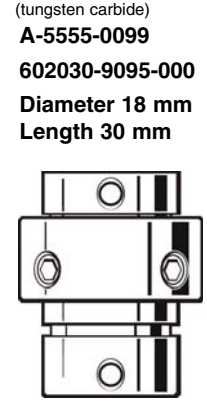
A-5555-0018 602030-9010-000 A 3.0 mm B 25 mm	A-5555-0019 600342-8020-000 A 3.0 mm B 33.5 mm	A-5555-0020 602030-9011-000 A 3.0 mm B 50 mm	A-5555-0021 600342-8021-000 A 3.0 mm B 58 mm	A-5555-0022 600342-8025-000 A 4.0 mm B 33.5 mm	A-5555-0052 602030-8060-000 A 0.8 mm B 32 mm	A-5555-0053 602030-8061-000 A 1.0 mm B 32 mm	A-5555-0054 602030-8062-000 A 1.35 mm B 32 mm	A-5555-0055 602030-8063-000 A 1.5 mm B 44 mm	A-5555-0056 602030-8064-000 A 1.5 mm B 32 mm	A-5555-0057 602030-8065-000 A 1.5 mm B 44 mm	A-5555-0058 602030-8066-000 A 2.0 mm B 32 mm	A-5555-0059 602030-8067-000 A 2.0 mm B 44 mm	A-5555-0060 602030-8068-000 A 2.0 mm B 58 mm	A-5555-0061 602030-8069-000 A 2.0 mm B 32 mm	A-5555-0062 602030-8070-000 A 2.5 mm B 44 mm	A-5555-0063 602030-8071-000 A 2.5 mm B 58 mm
---	---	---	---	---	---	---	--	---	---	---	---	---	---	---	---	---



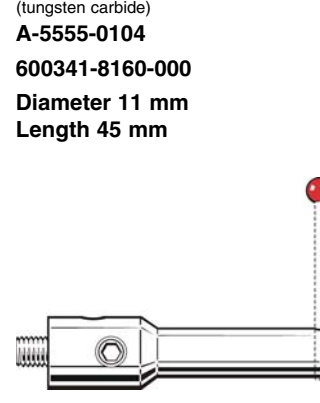
Styli for star styli (tungsten carbide)

A-5555-0078 600342-8200-000 A 1.35 mm B 32.9 mm	A-5555-0079 600342-8201-000 A 1.5 mm B 33.0 mm	A-5555-0080 600342-8202-000 A 2.0 mm B 33.5 mm	A-5555-0084 600342-8250-000 A 0.3 mm B 21.8 mm	A-5555-0085 600342-8251-000 A 0.5 mm B 22 mm	A-5555-0086 600342-8252-000 A 0.6 mm B 22.1 mm	A-5555-0087 600342-8253-000 A 0.8 mm B 22.3 mm	A-5555-0088 600342-8254-000 A 1.0 mm B 22.5 mm
--	---	---	---	---	---	---	---

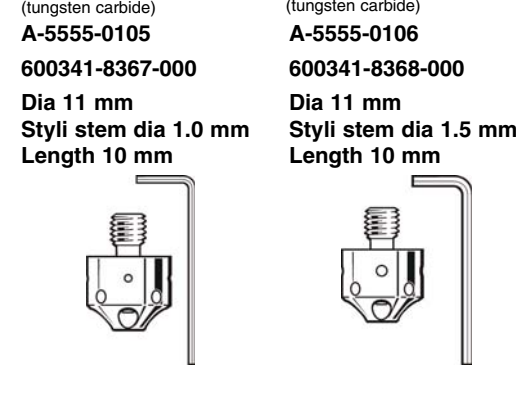
Rotational adjustment piece (tungsten carbide)



Holder for styli (1-1.5 mm) (tungsten carbide)



Holder for up to 5 styli (tungsten carbide)



**Part number system**  
Renishaw: A-XXXX-XXXX  
Zeiss: 6XXXXX-XXXX-XXX

Ball stems - stepped (tungsten carbide)

A-5555-0107 600341-8454-000 A 1.0 mm B 16 mm	A-5555-0108 600341-8450-000 A 0.3 mm B 15.3 mm	A-5555-0109 600341-8451-000 A 0.5 mm B 15.5 mm	A-5555-0110 600341-8452-000 A 0.6 mm B 15.8 mm	A-5555-0111 600341-8453-000 A 0.8 mm B 15.8 mm
---	---	---	---	---

Ball stems (tungsten carbide)

A-5555-0112 600341-8500-000 A 1.35 mm B 26.4 mm	A-5555-0113 600341-8501-000 A 1.5 mm B 26.5 mm	A-5555-0114 600341-8502-000 A 2.0 mm B 27 mm	A-5555-0115 600341-8503-000 A 2.5 mm B 27.5 mm
--	---	---	---

Cubes (titanium)

A-5555-0189 600341-8361-000 15 mm x 15 mm	A-5555-0190 600341-8002-000 20 mm x 20 mm
---	---

Joints (titanium)

A-5555-0218 600342-9002-000 Length 30 mm Depth 11 mm	A-5555-0219 600342-9003-000 Length 36 mm Depth 18 mm
---	---

Adaptors (tungsten carbide)

A-5555-0226 602030-0215-000 M5 - M2 Length 10 mm	A-5555-0227 602030-0315-000 M5 - M3 Length 10 mm
---	---

Extensions (aluminium)

A-5555-0127 600341-8422-000 Length 100 mm Diameter 20 mm	A-5555-0128 600341-8423-000 Length 80 mm Diameter 20 mm	A-5555-0130 600341-8424-000 Length 40 mm Diameter 20 mm	A-5555-0132 600341-8426-000 Length 100 mm Diameter 11 mm	A-5555-0134 600341-8428-000 Length 60 mm Diameter 11 mm	A-5555-0135 600341-8261-000 Length 40 mm Diameter 11 mm
---	--	--	---	--	--

Extensions (stainless steel)

A-5555-0136 600341-8260-000 Length 100 mm Diameter 11 mm	A-5555-0140 600341-8252-000 Length 20 mm Diameter 11 mm	A-5555-142 600341-8250-000 Length 10 mm Diameter 11 mm
---	--	---

Extensions (titanium)

A-5555-0145 602030-9046-000 Length 20 mm Diameter 11 mm	A-5555-0148 602030-9049-000 Length 40 mm Diameter 11 mm	A-5555-152 602030-9054-000 Length 60 mm Diameter 11 mm
--	--	---

Extensions (thermo stable carbon fibre)

A-5555-0647 626107-1040-100 Length 40 mm Diameter 11 mm	A-5555-0648 626107-1050-100 Length 50 mm Diameter 11 mm	A-5555-0652 626107-1100-100 Length 100 mm Diameter 11 mm	A-5555-0659 626107-2100-100 Length 100 mm Diameter 21 mm	A-5555-0663 626107-2200-100 Length 200 mm Diameter 21 mm
--	--	---	---	---

Adaptor plates (aluminium)

A-5555-0025 600667-9601-000 MT/VAST with ID chip	A-5555-1235 620161-8055-000 XXT TL1 adaptor plate with ID chip	A-5555-1236 620161-8058-000 XXT TL1 reference plate with ID chip	A-5555-1237 620161-8066-000 XXT TL2 adaptor plate with ID chip	A-5555-1238 620161-8068-000 XXT TL2 reference plate with ID chip	A-5555-1239 620161-8075-000 XXT TL3 adaptor plate with ID chip	A-5555-1240 620161-8078-000 XXT TL3 reference plate with ID chip
--	--	--	--	--	--	--

## M3 tungsten carbide XXT styli

Ruby ball styli

A-5004-3176 626113-0030-013 A 0.3 mm B 13 mm	A-5004-2186 626113-0050-020 A 0.5 mm B 20 mm	A-5004-3427 626113-0100-030 A 1.0 mm B 30 mm	A-5004-1779 626113-0151-040 A 1.5 mm B 40 mm	A-5555-3855 626113-0201-040 A 2.0 mm B 40 mm	A-5004-3428 626113-0250-040 A 2.5 mm B 40 mm
---	---	---	---	---	---

## Reference styli XXT (red dot)

Ruby ball styli (carbon fibre)

A-5555-2033 626103-0501-030 A 5.0 mm B 30 mm	A-5555-3858 626103-0501-050 A 5.0 mm B 50 mm
---	---

For all your styli needs and to view the whole range please visit:  
[www.renishaw.com](http://www.renishaw.com)

### Renishaw worldwide

<b>Australia</b> T +61 3 9521 0922 E australia@renishaw.com	<b>Canada</b> T +1 905 828 0104 E canada@renishaw.com	<b>France</b> T +33 1 64 61 84 84 E france@renishaw.com	<b>Hungary</b> T +36 23 502 183 E hungary@renishaw.com	<b>Israel</b> T +972 4 953 6595 E israel@renishaw.com	<b>Malaysia</b> T +60 3 5631 4420 E malaysia@renishaw.com	<b>Russia</b> T +7 495 231 1677 E russia@renishaw.com	<b>South Korea</b> T +82 2 2108 2830 E southkorea@renishaw.com	<b>Switzerland</b> T +41 55 415 50 60 E switzerland@renishaw.com	<b>Turkey</b> T +90 (216) 380 92 40 E turkiye@renishaw.com	<b>For all other countries</b> T +44 1453 524524 E international@renishaw.com
<b>Austria</b> T +43 (0) 2236 379790 E austria@renishaw.com	<b>The People's Republic of China</b> T +86 10 8448 5306 E beijing@renishaw.com	<b>Germany</b> T +49 (0) 7127 981-0 E germany@renishaw.com	<b>India</b> T +91 20 6674 6200 E india@renishaw.com	<b>Italy</b> T +39 011 966 10 52 E italy@renishaw.com	<b>The Netherlands</b> T +31 76 543 11 00 E benelux@renishaw.com	<b>Singapore</b> T +65 6897 5466 E singapore@renishaw.com	<b>Spain</b> T +34 93 663 3420 E spain@renishaw.com	<b>Taiwan</b> T +886 (0) 4 2473 3177 E taiwan@renishaw.com	<b>UK (Head Office)</b> T +44 (0)1453 524524 E uk@renishaw.com	
<b>Brazil</b> T +55 11 4195 2866 E brazil@renishaw.com	<b>Czech Republic</b> T +420 548 216 553 E czech@renishaw.com	<b>Hong Kong</b> T +852 2753 0638 E hongkong@renishaw.com	<b>Indonesia</b> T +62 21 2550 2467 E indonesia@renishaw.com	<b>Japan</b> T +81 3 5366 5324 E japan@renishaw.com	<b>Poland</b> T +48 22 577 1180 E poland@renishaw.com	<b>Slovenia</b> T +386 (1) 527 2100 E mail@rfs.si	<b>Sweden</b> T +46 (0) 8 584 90 880 E sweden@renishaw.com	<b>Thailand</b> T +66 2748 9811 E thailand@renishaw.com	<b>USA</b> T +1 847 286 9953 E usa@renishaw.com	